



TANK BARGE WINCH

LASTING EFFICIENCY

Patterson's top-quality hand winches are designed to connect barges with maximum efficiency and durability. Capacities range from 20 to 90 tons, and we also offer galvanized winches as a saltwater option for the very best in corrosion protection.



Performance Data

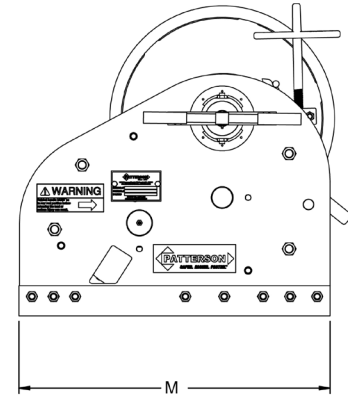
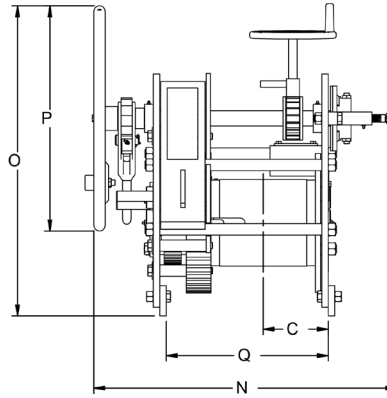
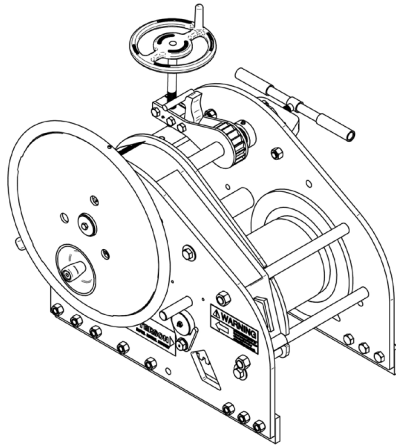
Model*(WWP)	Ultimate Capacity	Brake Holding Capacity	Maximum Line Tension
20M-6	40,000 lbs	40,000 lbs	5,200 lbs
30M-10	60,000 lbs	60,000 lbs	6,600 lbs
40M-12	80,000 lbs	80,000 lbs	8,000 lbs
65M-14	130,000 lbs	130,000 lbs	11,200 lbs
75M-10	150,000 lbs	150,000 lbs	12,000 lbs

Key Features

Galvanized Corrosion Package

Easy to Use and Economical

[More Details >](#)



Specifications

Model* (WWP)	Drum Diameter	C	M	N	O	P	Q	Net Weight
20M-6	8.625"	5"	27.6"	30"	33"	26"	13.25"	600 lbs
30M-10	10"	6.75"	27.6"	33"	33"	26"	17.5"	750 lbs
40M-12	10"	7.5"	36"	36"	36"	26"	18.75"	1,105 lbs
65M-14	14"	9.6"	34.5"	40"	43"	26"	23.75"	1,705 lbs
75M-10	16"	7.2"	45"	35"	40.75"	26"	20.25"	2,000 lbs

Drum Capacities

Model* (WWP)	1/2"	5/8"	3/4"	7/8"	1"	1 1/8"	1 1/4"
20M-6	220'	140'	100'	xx	xx	xx	xx
30M-10	xx	120'	85'	65'	xx	xx	xx
40M-12	xx	xx	180'	130'	100'	xx	xx
65M-14	xx	xx	xx	230'	180'	150'	xx
75M-10	xx	xx	xx	xx	190'	150'	xx

**All performance data and specifications set forth in the above tables are guidelines. The referenced data and specifications were produced under controlled testing conditions and should be used as estimates only. Due to variability in individual operators, in weather, in towing conditions, and in various other factors, actual results may vary. In addition, for the purpose of installation, please verify all dimensions as the dimensions, specifications, data and other information contained in this brochure are subject to change at any time without notice.*