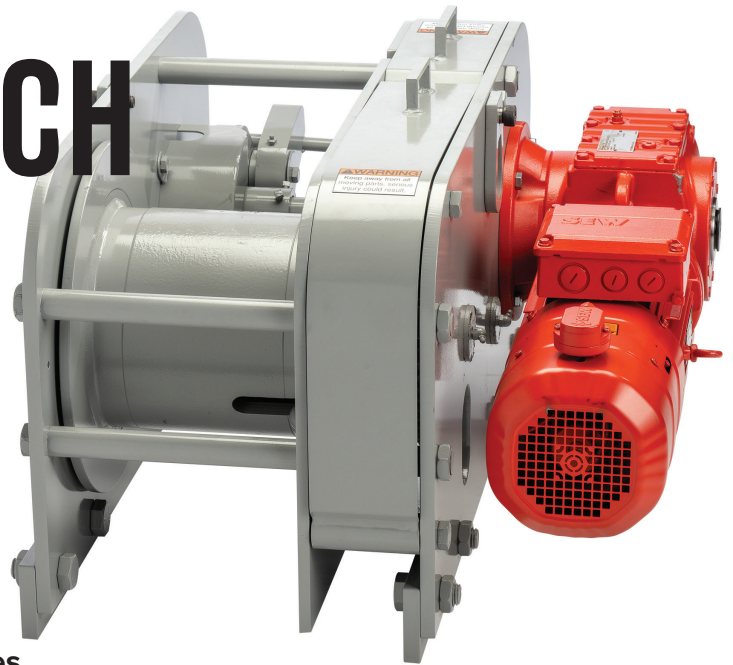




LOW PROFILE ELECTRIC WINCH

SHORT BUT MIGHTY



The Patterson Low Profile Electric Winch is compact, but exceptionally strong. With capacities ranging from 20 to 90 tons and optional galvanized construction, this winch can handle the job. It's designed for high line speed and high line pull, with motor sizes ranging from 3 to 10 horsepower and 208 V or 230/460 V 3-phase with thermostat relays – ask about our special marine motors.

The Patterson Low-Profile Electric Winch, designed for low height situations, prevents the wire from hitting the winch. Rope guards and gear shrouds protect the mechanism while preventing fouling and increasing safety. Plus, this winch employs fewer moving parts for reduced maintenance.

Key Features

Wire Protection

Safe, Ergonomic Operation

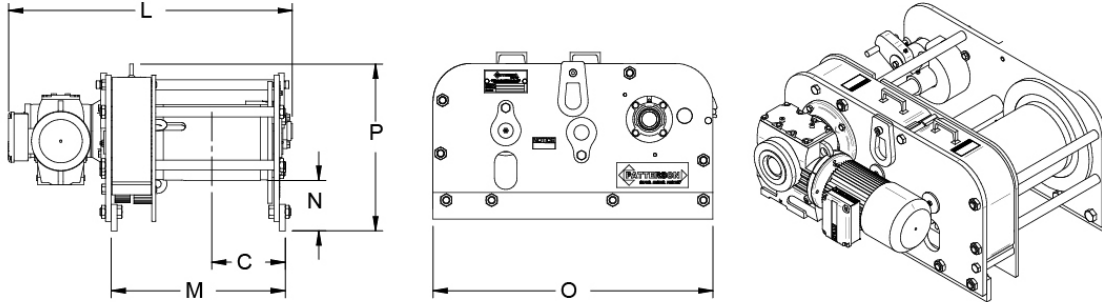
Performance Data

Model*(WWP)	Dog Holding Capacity	Brake Holding Capacity	Line Pull 1st Wrap	Line Speed 1st Wrap	Stall Pull 1st Wrap	Ultimate Shock Load
20LP-3.0	40,000 lbs	22,000 lbs	4,700 lbs	29 fpm	21,000 lbs	40,000 lbs
30LP-5.0	60,000 lbs	31,000 lbs	6,800 lbs	20 fpm	31,000 lbs	60,000 lbs
40LP-5.0	80,000 lbs	39,000 lbs	8,400 lbs	16 fpm	38,000 lbs	80,000 lbs
40LP-7.5	80,000 lbs	41,000 lbs	7,100 lbs	29 fpm	29,000 lbs	80,000 lbs
65LP-7.5	130,000 lbs	42,000 lbs	7,400 lbs	28 fpm	30,000 lbs	130,000 lbs
65LP-12.5	130,000 lbs	75,000 lbs	12,000 lbs	27 fpm	63,000 lbs	130,000 lbs

[More Details >](#)



LOW PROFILE ELECTRIC WINCH



Specifications

Model*(WWP)	Drum Diameter	C	M	N	O	L	P	Net Weight	Shipping Weight
20LP-3.0	8.625"	5.66"	13.5"	7"	35"	26.62"	22.1"	830 lbs	880 lbs
30LP-5.0	10"	7.5"	17.62"	6.5"	35"	31.81"	21.94"	1,020 lbs	1,070 lbs
40LP-5.0	10"	9.72"	23"	6.66"	37"	37.5"	21.96"	1,415 lbs	1,465 lbs
40LP-7.5	10"	9.72"	23"	6.66"	37"	38.02"	21.96"	1,430 lbs	1,480 lbs
65LP-7.5	14"	9.53"	23.75"	7.25"	40"	38.83"	30.28"	2,140 lbs	2,190 lbs
65LP-12.5	14"	9.53"	23.75"	7.25"	40"	41.3"	30.28"	2,723 lbs	2,773 lbs

Drum Capacities

Model*(WWP)	1/2"	5/8"	3/4"	7/8"	1"	1 1/8"
20LP-3.0	220'	140'	100'	xx	xx	xx
30LP-5.0	xx	120'	85'	65'	xx	xx
40LP-5.0	xx	xx	180'	130'	100'	xx
40LP-7.5	xx	xx	180'	130'	100'	xx
65LP-7.5	xx	xx	xx	230'	180'	150'
65LP-12.5	xx	xx	xx	230'	180'	150'

**All performance data and specifications set forth in the above tables are guidelines. The referenced data and specifications were produced under controlled testing conditions and should be used as estimates only. Due to variability in individual operators, in weather, in towing conditions, and in various other factors, actual results may vary. In addition, for the purpose of installation, please verify all dimensions as the dimensions, specifications, data and other information contained in this brochure are subject to change at any time without notice.*